



info@servotecnica.it
www.servotecnica.it



Electronics | Packaging **AUTOMATION**

Medicals

Industry

Defence

Robotics
Applications

- ▶ Commercial slip rings
- ▶ Quick delivery
- ▶ Low cost
- ▶ Plenty of configurations available
- ▶ Signal and power circuits
- ▶ Compact size
- ▶ Low friction torque
- ▶ High reliability and duration
- ▶ Smooth operation

servotecnica



SLIP RINGS

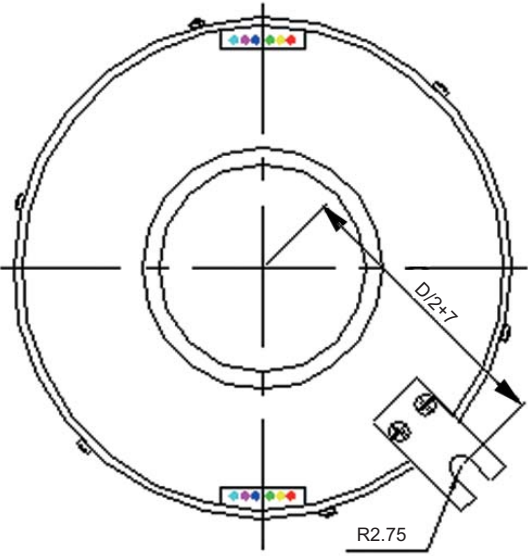
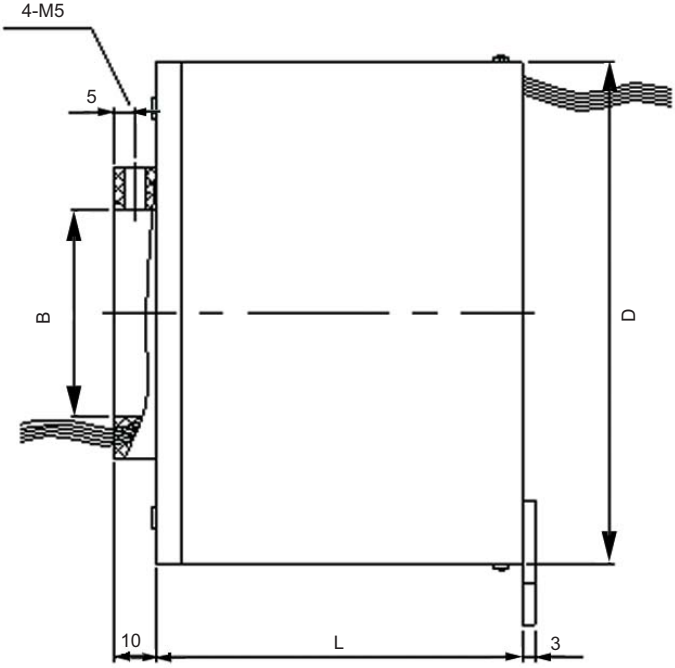
SRH Series



Model	Inside diameter "B" (mm)	Outside diameter "D" (mm)	Nbr. of circuits	Length "L" (mm) *	Max. speed rpm	Current (A)
SRH 010	10	55	1-36	29.5+nx3	300	1-5
SRH 015	15	60	1-36	29.5+nx3	300	1-5
SRH 020	20	70	1-40	29.5+nx3	300	1-5
SRH 025	25	70	1-40	29.5+nx3	300	1-10
SRH 030	30	95	1-40	29.5+nx3	250	1-10
SRH 035	35	110	1-40	29.5+nx3	250	1-10
SRH 040	40	110	1-50	40.5+nx3.5	250	1-10
SRH 045	45	120	1-50	40.5+nx3.5	250	1-10
SRH 050	50	120	1-50	40.5+nx3.5	250	1-10
SRH 055	55	120	1-50	40.5+nx3.5	250	1-10
SRH 060	60	124	1-60	40.5+nx3.5	250	1-10
SRH 065	65	124	1-60	40.5+nx3.5	250	1-10
SRH 070	70	140	1-60	43.5+nx3.5	250	1-10
SRH 075	75	150	1-60	46.5+nx3.5	250	1-10
SRH 080	80	150	1-72	46.5+nx3.5	250	1-10
SRH 090	90	170	1-72	59+nx5	250	1-10
SRH 100	100	180	1-80	59+nx5	250	1-10
SRH 110	110	190	1-80	61+nx5	200	1-10
SRH 120	120	200	1-96	63+nx5	200	1-10
SRH 130	130	220	1-96	65+nx5	200	1-10
SRH 140	140	230	1-96	67+nx5	200	1-10
SRH 150	150	240	1-110	69+nx5	200	1-10
SRH 160	160	258	1-110	73+nx5	150	1-10
SRH 170	170	260	1-110	73+nx5	150	1-10
SRH 180	180	270	1-124	75+nx5	150	1-10
SRH 190	190	280	1-124	75+nx5	150	1-10
SRH 200	200	390	1-124	79+nx5	150	1-10

n = number of circuits: rough formula for 5A circuits.

Note: 1-2-3-5-8-10A circuits available.

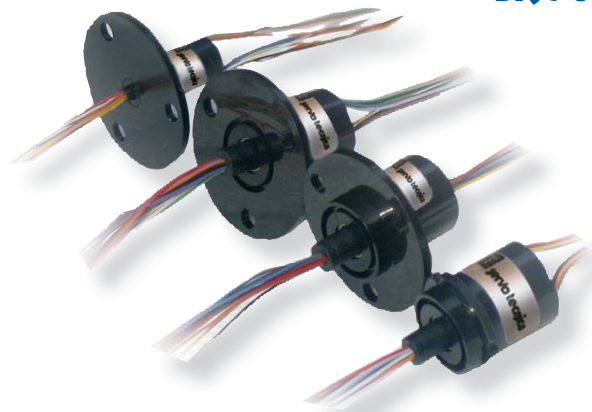
Standard SRH	Dimensions (mm)
	

MODELS ALSO AVAILABLE

SRH 3899 Series



SRC Series



SRT Series



SRH Series

Slip rings can be used in any electromechanical system requiring unrestrained, continuous rotation while transmitting power and/or data from a stationary to a rotating structure.

A slip ring is also called rotary electrical interface, collector, swivel or rotary joint.

The **SRH Series** make use of a special technology allowing to get multiple contact points between brushes and ring, low friction torque, reduced mechanical noise and low wear.

No lubrication required.

Standard applications

- ▶ Packaging machines
- ▶ Labelling machines
- ▶ Filling machines
- ▶ Robots
- ▶ Medical equipment
- ▶ Rotary tables and machine tools
- ▶ Converting machines

Standard features

- ▶ Voltage: 240 VAC / 340 VDC*
- ▶ Cables: tin plated, PTFE insulation / 10A: AWG16; 8A: AWG18; 5A: AWG20; 3A: AWG22; 2A: AWG26; 1A: AWG28
- ▶ Cables length: 500 mm. standard (other lengths available on demand)
- ▶ Dielectric strength: 1000 VAC at 60 Hz
- ▶ Insulation resistance: > 1000 MΩ / 500 VDC
- ▶ Bearings: stainless steel and nylon
- ▶ Housing: ABS (hard plastic)
- ▶ Temperature: -20°C to +80°C.
- ▶ Protection: IP 51

* Higher voltages available as option.